

ZH Double Section Wall Mounted Cabinets



Model No.	W*D	Capacity
ZH.6409...	600*550	9U

Standard:

- Comply with ANSI/EIA RS-310-D, DIN41497 part 1, IEC297-2, DIN41494 part 7 GB/T3047.2-92 standard

Feature:

- Double section welded frame structure;
- Easy operation and maintaining at the back;
- 19" standard installation;
- Removable side panels, side locks are optional, easy installing and maintaining;
- Cable entry at the top cover and bottom panel;
- 120mm fan optional;
- Turning angle of front door is above 180 degrees;
- Turning angle of rear door is above 90 degrees.

Loading capacity:

- 60KG

Degree of protection:

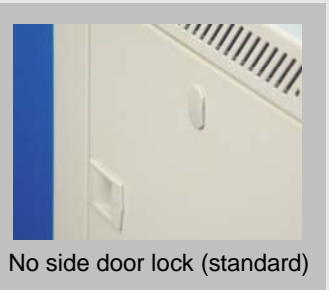
- IP20

Material:

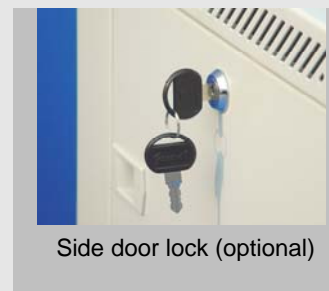
- SPCC cold rolled steel;
- Thickness: Mounting profile 1.5mm, others 1.2mm

Surface Finish:

- Degreasing, pickling, phosphoric, powder coated



No side door lock (standard)



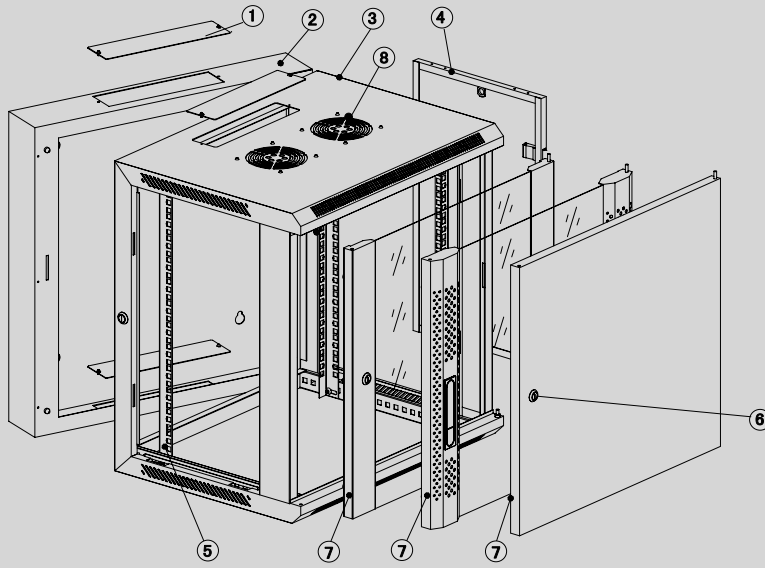
Side door lock (optional)



Adjustable mounting profiles

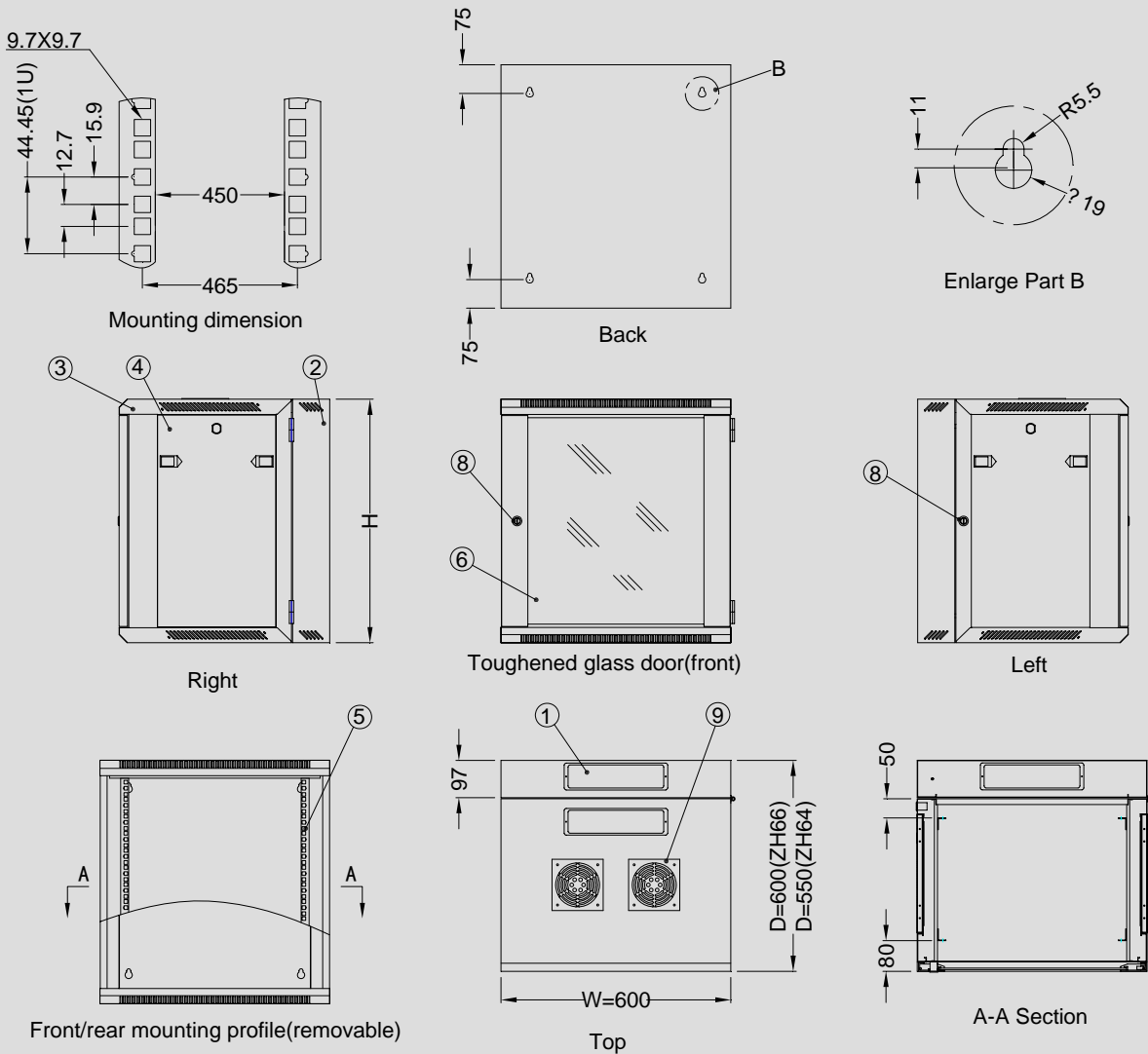
ZH Double Section Wall Mounted Cabinets

Main structure



1. Cable entry cover
2. Back panel
3. Frame
4. Side panel
5. Mounting profile
6. Lock
7. Front door
8. Fan cover

Main dimension



ZH Double Section Wall Mounted Cabinets

Main parts:

S/N	Specification	Quantity	Unit	Material	Surface Finish	Remark
1	Cable entry cover	3	Piece	SPCC Cold rolled steel t1.2	Powder coated	---
2	Back panel	1	Piece	SPCC Cold rolled steel t1.2	Powder coated	---
3	Frame	1	Piece	SPCC Cold rolled steel t1.2	Powder coated	---
4	Side panel	2	Piece	SPCC Cold rolled steel t1.2	Powder coated	---
5	Mounting profile	4	Piece	SPCC Cold rolled steel t1.5	Powder coated	---
6	Lock ^①	2	Piece	---	---	With 4 keys
7	Front door ^②	1	Piece	Toughened glass door/ t1.2 SPCC	Powder coated	---
8	Fan cover	2	Piece	SPCC Cold rolled steel t1.2	Powder coated	---
9	M6 square nut	10	Piece	Steel	Color zinc	20pcs for over 12U
10	M6 B-head screw	10	Piece	Steel	Color zinc	20pcs for over 12U
11	Allen wrench	1	Piece	Steel	Black	---

Remark: ①Toughened glass door and plate front door with small round lock, toughened glass door with vented door border with spring lock.

②Three types of front door: toughened glass door, toughened glass door with vented door border, plate front door.

Specification:

Model No.	Capacity (U)	Width (mm)	Depth (mm)	Height (mm)	Packing Dimension W*D*H	Volume (CBM)
ZH.6406.9■■■	6	600	550	368	670*620*430	0.1786
ZH.6409.9■■■	9			501	670*620*560	0.2326
ZH.6412.9■■■	12			635	670*620*695	0.2887
ZH.6415.9■■■	15			769	670*620*830	0.3447
ZH.6418.9■■■	18			901	670*620*960	0.3987
ZH.6422.9■■■	22			1082	670*620*1140	0.4736
ZH.6427.9■■■	27			1304	670*620*1365	0.5670
ZH.6606.9■■■	6	600	600	368	670*670*430	0.1930
ZH.6609.9■■■	9			501	670*670*560	0.2513
ZH.6612.9■■■	12			635	670*670*695	0.3106
ZH.6615.9■■■	15			769	670*670*830	0.3725
ZH.6618.9■■■	18			901	670*670*960	0.4309
ZH.6622.9■■■	22			1082	670*670*1140	0.5117
ZH.6627.9■■■	27			1304	670*670*1365	0.6127

Remark: Above packing dimension and volume is for packing with PU foam on four angles; If no PU foam, the packing dimension should decrease 50mm, 50mm, 40mm accordingly, so does the volume.

Definition of Color:

Model No.	Color
ZH.■■■■■.■■■1	RAL9004
ZH.■■■■■.■■■2	RAL 7035

Definition of front door:

Model No.	Feature
ZH.■■■■■.■0■	Toughened glass door
ZH.■■■■■.■1■	Toughened glass door with vented border
ZH.■■■■■.■2■	Plate front door

Definition of Ornament strip color (for toughened glass door with vented door border):

ZH.■■■■■.71■	ZH.■■■■■.91■
Light red	Light blue
	

Color :

RAL9004	RAL7035
black	gray
