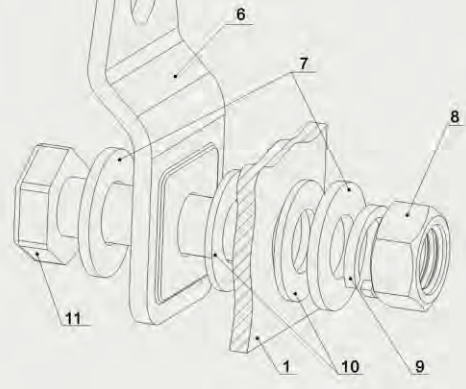
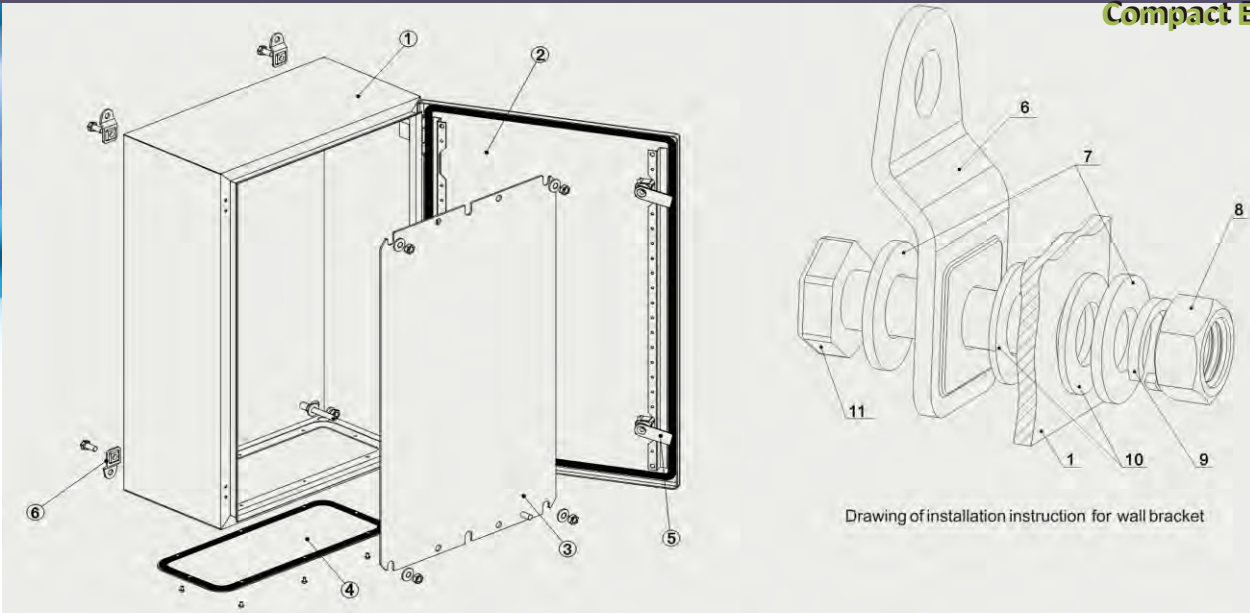


Gecko Compact Enclosures



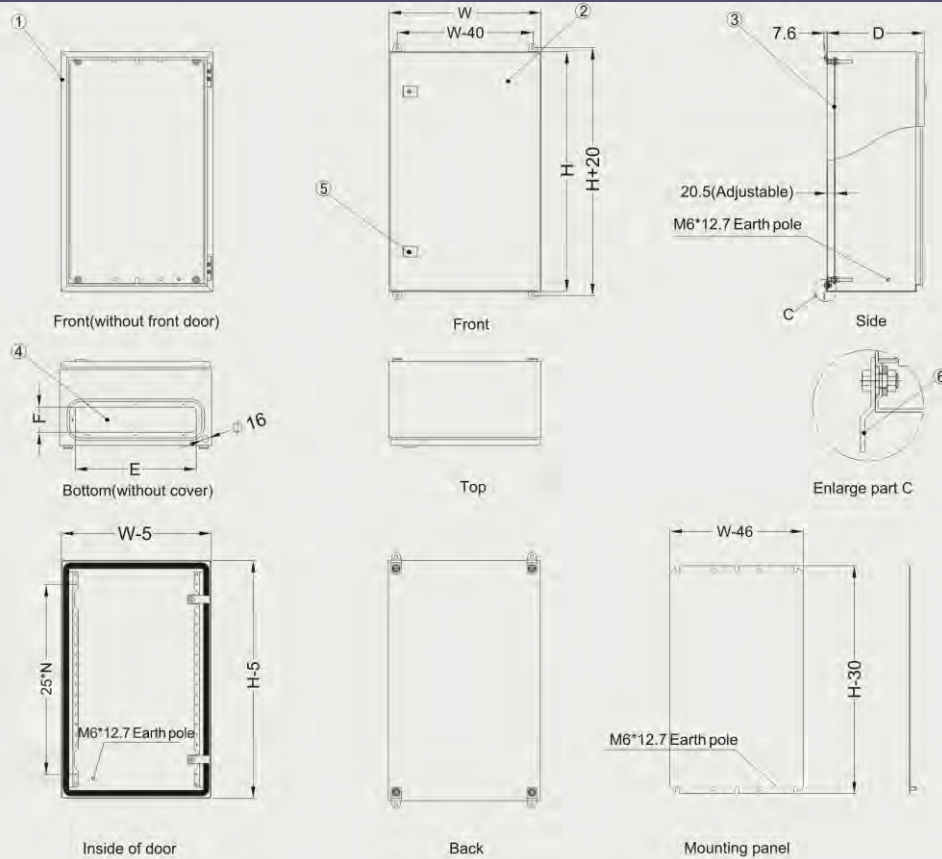
Structure



Drawing of installation instruction for wall bracket

- 1.Body 2.Door 3.Mounting panel 4.Mounting entrance panel 5.Lock 6.Bracket 7.∅8 Flat cushion 8.M8 Nut 9. ∅8 spring cushion
- 10.Plastic cushion 11.M8*20 Screw

Dimension



Specifications

Model	Width (mm)	Depth (mm)	Height (mm)	Gland Plate Size(mm)	IP	Lock(s)	Packing(mm)
GB.1033	300	210	300	233x45	IP66	1	330x240x330
GB.1034	300	210	400	233x45	IP66	1	330x240x430
GB.1038	380	210	600	303x63	IP55	2	410x240x630
GB.2025	200	120	250	133x43	IP66	1	230x150x280
GB.2530	250	200	300	133x43	IP66	1	280x230x330
GB.6080	600	210	800	303x63	IP55	2	630x240x830

Specifications are subject to change without prior notice.