

# WM Single Section Wall mounted Cabinets



Model No.	W*D	Capacity
WM6409.	600*450	9U

## Standard:

- Comply with ANSI/EIA RS-310-D, DIN41497 part 1, IEC297-2, DIN41494 part 7, GB/T3047.2-92 standard

## Feature:

- Welded frame, reliable structure;
- Standing or wall mounting installation;
- Easy mounting installation (patent);
- 19" standard installation;
- Removable side panels, side locks optional
- Cable entry on both of top cover and bottom panel;
- 120mm fan available;
- Turning angle of front door is over 180 degrees;

## Loading Capacity:

- 60KG

## Degree of Protection:

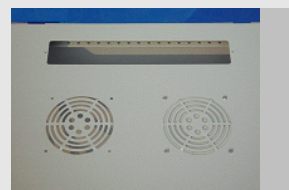
- IP20

## Material:

- SPCC Cold Rolled Steel;
- Thickness: Mounting profile: 1.5mm, others: 1.2mm

## Surface Finish:

- Degreasing, pickling, phosphoric, powder coated



Lockable fan holes and cable entry



Easy installation, dust-proof



Mounting panel



Install to wall



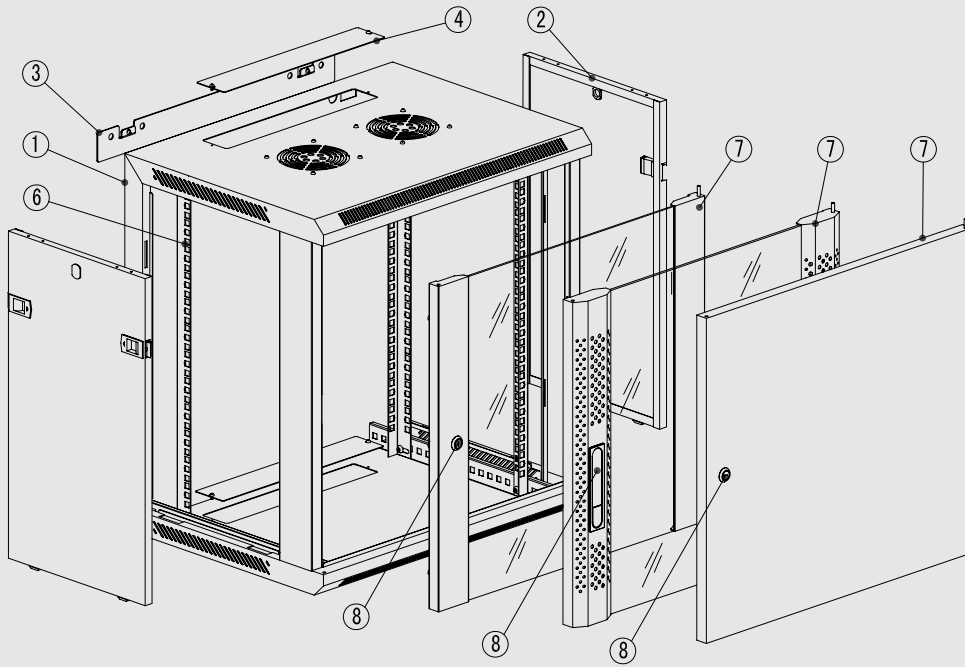
Removable side panels (side locks optional)



Inside fixation by nuts to avoid accident

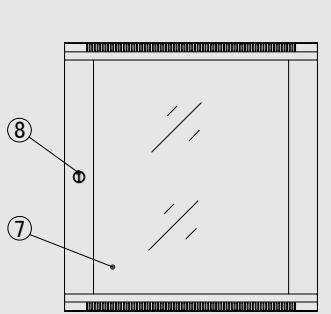
# WM Single Section Wall mounted Cabinets

## Main structure

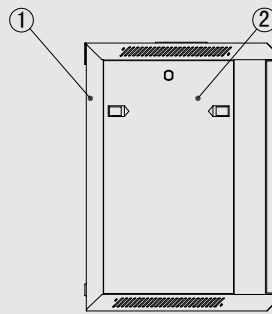


1. Frame
2. Side panel
3. Mounting panel
4. Cable entry cover
5. Fan cover
6. Mounting profile
7. Front door
8. Lock

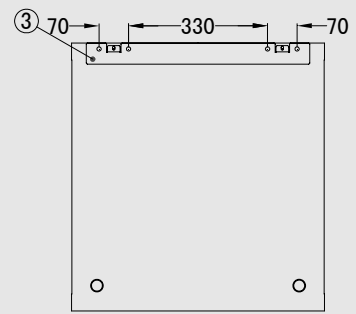
## Main dimension



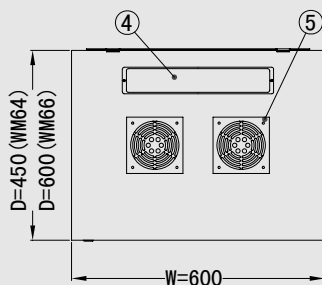
Front (toughened glass door)



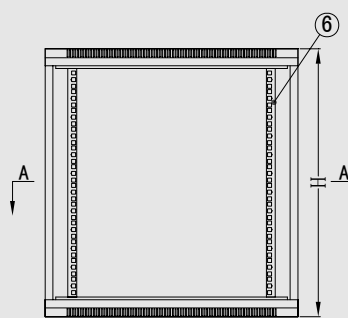
Side



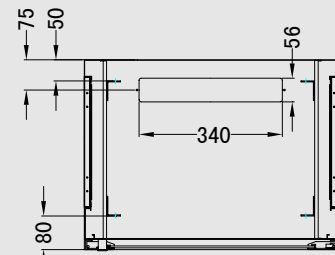
Back (wall-mounted hole size)



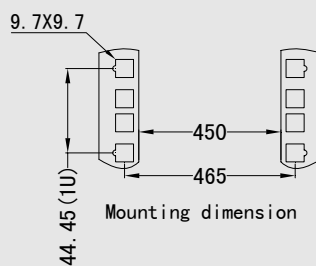
Top



Front (without front door)



A-A Section



Mounting dimension

# WM Single Section Wall mounted Cabinets

## Main parts:

S/N	Specification	Quantity	Unit	Material	Surface finish	Remark
1	Frame	1	Piece	SPCC Cold rolled steel t1.2	Powder coated	---
2	Side panel	2	Piece	SPCC Cold rolled steel t1.2	Powder coated	---
3	Mounting panel	1	Piece	SPCC Cold rolled steel t1.2	Powder coated	---
4	Cable entrance cover	2	Piece	SPCC Cold rolled steel t1.2	Powder coated	---
5	Fan cover	2	Piece	SPCC Cold rolled steel t1.2	Powder coated	---
6	Mounting profile	4	Piece	SPCC Cold rolled steel t1.5	Powder coated	---
7	Front door <sup>①</sup>	1	Piece	5MM toughed glass door/ SPCCt1.2	Powder coated	---
8	Lock <sup>②</sup>	1	Piece	---	---	With 2 keys
9	M6 Square nut	10	Piece	Steel	Color zinc	20pcs for over 12U
10	M6 B-head screw	10	Piece	Steel	Color zinc	20pcs for over 12U
11	Allen wrench	1	Piece	Steel	Black	---

**Remark:** ①Three types of front door: toughened glass door, toughened glass door with vented door border, plate front door.

②Toughened glass door and plate front door with small round lock, toughened glass door with vented door border with spring lock.

## Specification:

Model No.	Capacity (U)	Width (mm)	Depth (mm)	Height (mm)	Packing dimension W*D*H	Volume (CBM)
WM.6406.9 ■■	6	600	450	368	670*520*430	0.1498
WM.6606.9 ■■			600		670*670*430	0.1930
WM.6409.9 ■■	9	600	450	501	670*520*560	0.1951
WM.6609.9 ■■			600		670*670*560	0.2513
WM.6412.9 ■■	12	600	450	635	670*520*695	0.2421
WM.6612.9 ■■			600		670*670*695	0.3106
WM.6415.9 ■■	15	600	450	769	670*520*830	0.2888
WM.6615.9 ■■			600		670*670*830	0.3725
WM.6418.9 ■■	18	600	450	901	670*520*960	0.3344
WM.6618.9 ■■			600		670*670*960	0.4309
WM.6422.9 ■■	22	600	450	1082	670*520*1140	0.3971
WM.6622.9 ■■			600		670*670*1140	0.5117
WM.6427.9 ■■	27	600	450	1304	670*520*1365	0.4755
WM.6627.9 ■■			600		670*670*1365	0.6127

Remark: Above packing dimension and volume is for packing with PU foam on four angles; If no PU foam, the packing dimension should decrease 50mm, 50mm, 40mm accordingly, so does the volume.

## Definition:

Model No.	Color
WM.■■■■■.■■■1	RAL9004
WM.■■■■■.■■■2	RAL7035

## Definition of front door:

Model No.	Feature
WM.■■■■■.■0■	Toughened glass door
WM.■■■■■.■1■	Toughened glass door with
WM.■■■■■.■2■	Plate front door

## Definition of ornament strip color (for toughened glass door with vented door border):

WM.■■■■■.71■	WM.■■■■■.91■
Light red	Light blue
	

## Color :

RAL9004	RAL7035
black	gray
