

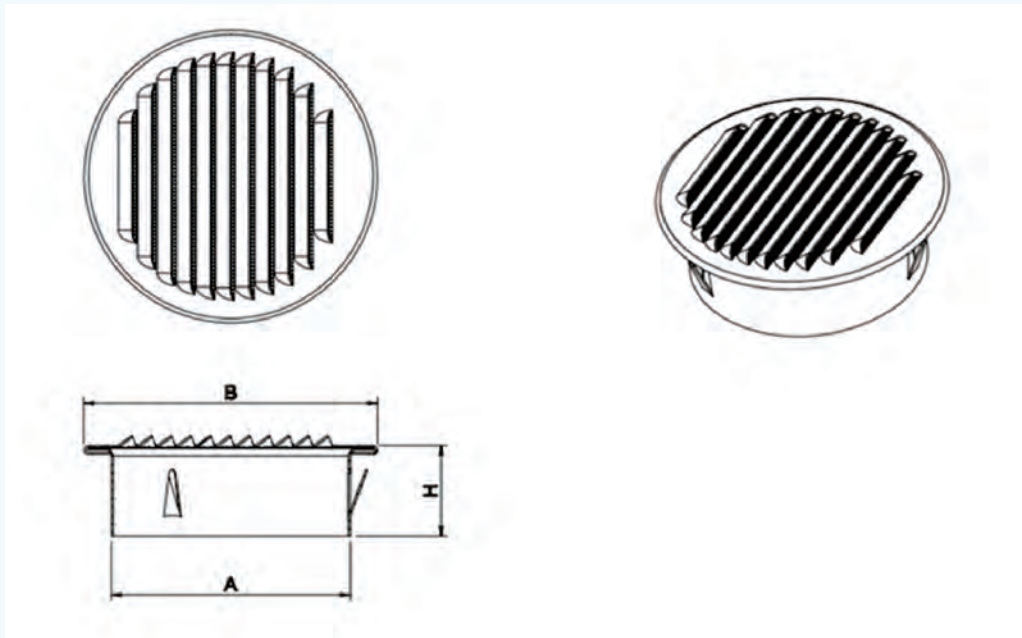
BK.1070 - Air Vent Kit

Features

- Suitable for GB and CA cabinets
- Material: Aluminium
- Construction: Pressed body made of Aluminium
Insect screen fitted internally
- Colour: Aluminium natural finish
- Ingress Protection: IP33
- Mounted in 100mm diameter hole
- 2 Vents supplied in kit



Main Structure



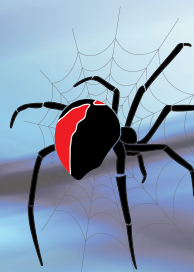
Specifications

Model	A = Duct Size	B = Face Size	H = Height	Louvres	Thickness
BK.1070	98mm	128mm	47mm	9mm	1.0mm

Specifications are subject to change without prior notice.



Power Systems Solutions



REDBACK
RACKS